

Humidity & Temperature Transmitter



HT130

- Working Range (-)40 to 125 °C
- Precision Relative Humidity ± 3 % RH
- High Accuracy Temperature ± 0.4 °C
- Output 2 Wire 4-20 mA (Loop Powered)

The Humidity & Temperature Transmitter HT130 fit the requirement of accurate monitor the humidity and temperature in ambient air. The transmitter continuously measures the ambient humidity and provides an accurate, linear 4-20 mA output signal.

Specifications

Input

Number of Channel: 2 Channels

Input Type: Humidity, Temperature

Input Range:

Humidity

Input Range: 0 to 100 % RH

Working Range: 5 to 95 % RH

Response Time: 1 sec.

Precision Relative: ± 3 % RH (Max.),

0 - 80 % RH

Temperature

Input Range: (-)40 to 125 °C

Working Range: (-)40 to 125 °C (Probe)

Accuracy: ± 0.4 °C (Max.),

(-)10 to 85 °C

Analog Output

Number of Channel: 2 Channels

Ordering Information:

Example HT130

Package Checklist

1. HT130

Output Type: Current (2-Wire)

Output Range: 4 to 20 mA

Loop Powered: 15 to 35 VDC

Output Load Resistance:

$$R_{\text{load (Max.)}} = (V_{\text{supply}} - 15)/0.02$$

Isolation Voltage: 500 Vrms, Between Output

Environmental Limits

Operating Temperature: 0 to 60 °C

Operating Humidity: 5 to 95% RH

Storage Temperature: 0 to 70 °C

Physical Characteristics

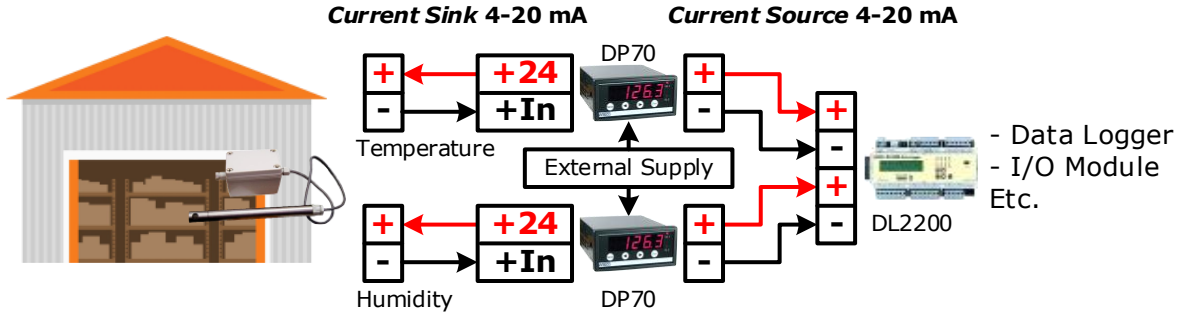
Dimension: W65 × H140 × D55 mm.

Probe/Cable Length: 215/800 mm.

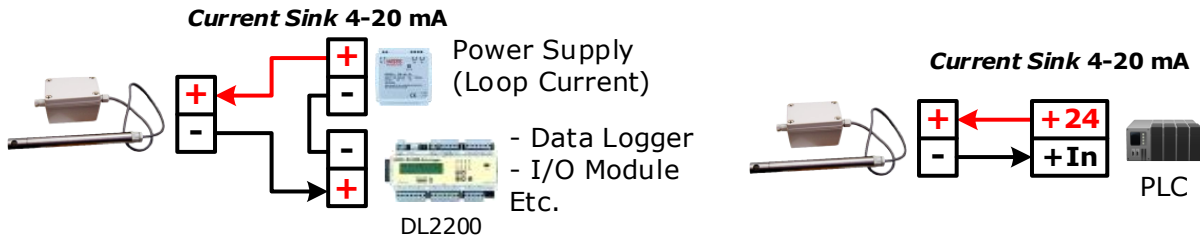
Probe Diameter: 19 mm.

Warranty

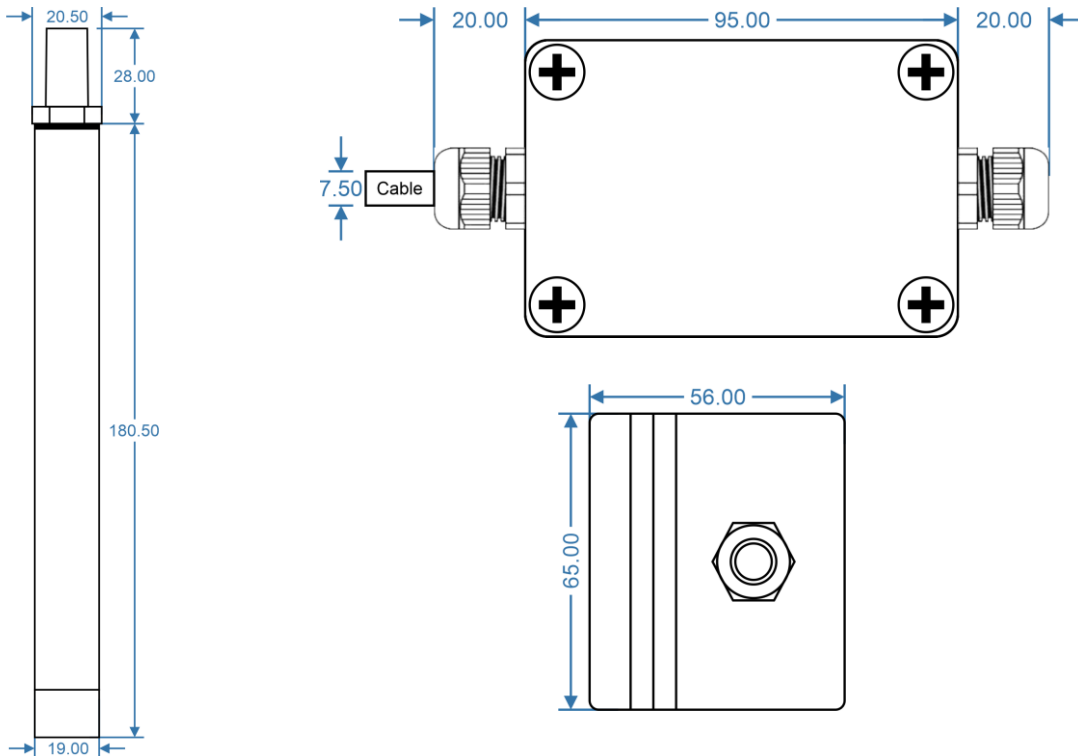
Warranty Period: 1 Year



monitor or record data the humidity and temperature



Dimension (Unit: mm.)



Wiring

